



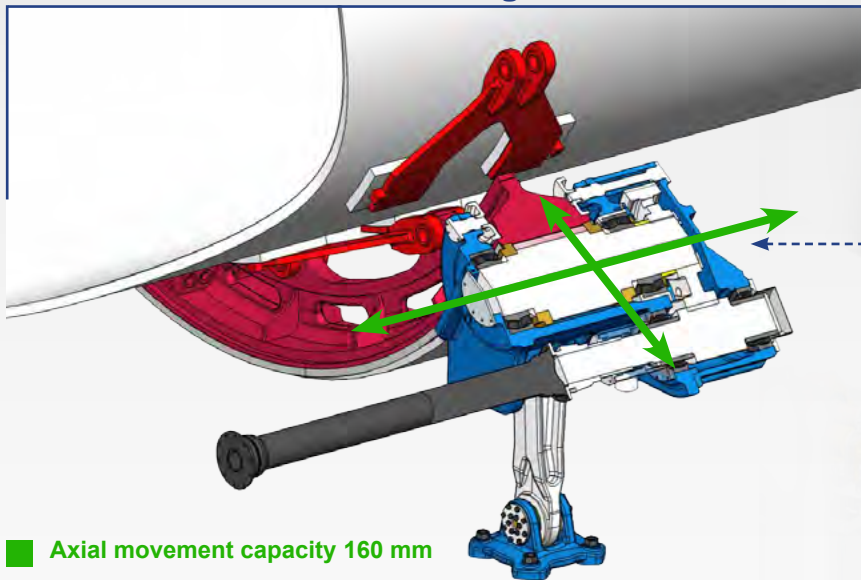
BOGIFLEX[®] - KGD

THE BEST KILN GEAR DRIVE

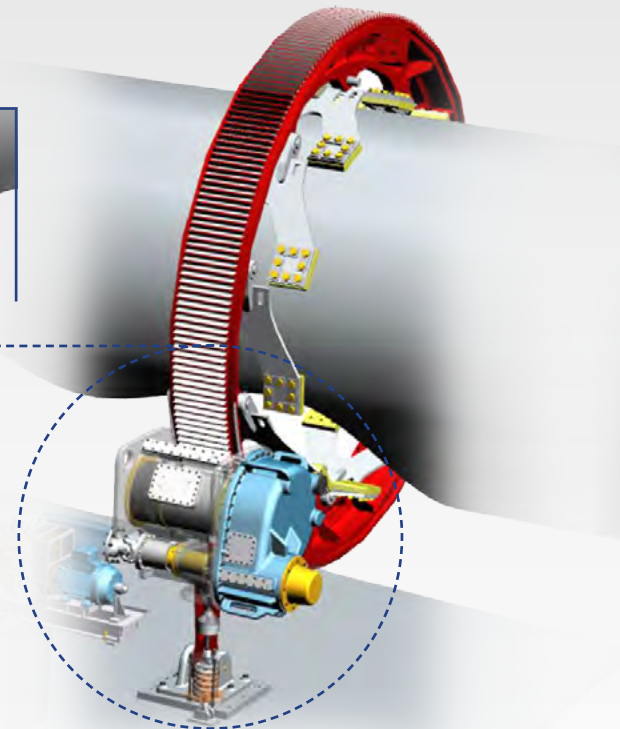
GEARBOXES ■ GIRTH GEARS ■ WORM GEARS ■ COUPLINGS ■ SERVICE ■ ENGINEERING



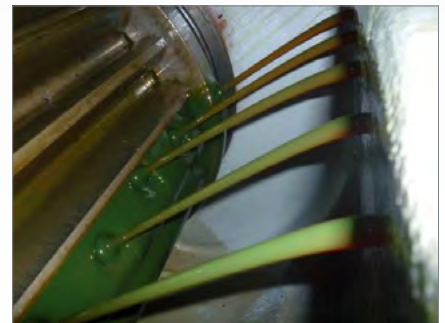
Floating & Self-Aligning Drive Design



■ Axial movement capacity 160 mm
 Radial movement capacity 80 mm



1. Pinon follows the girth gear for a constant meshing
2. Copes with any kiln deformation & movement (local & global deformation)
3. Increased reliability & lifetime
4. Reduced running cost
5. Available for all size/capacity of kiln
6. Proven experience worldwide
7. Available for new kiln & existing kiln
8. Girth gear 100% made by Groupe CIF



CONTACT

cement@cmdgears.com Tél. : +33 (0)1 34 63 12 24 www.cmdgears.com